

COMPRESSION VALVE

INFORMATION

- One piece stem with O-Ring construction (easy seal replacement and positive shut-off)
- Viton O-Ring standard (others available upon request)
- TRI-Clamp connections are standard
- Full Polished ID and OD
- All metal contact surfaces of T316L Stainless Steel
- Sizes range from 1.0" through 3.0"



PARTS BREAKDOWN

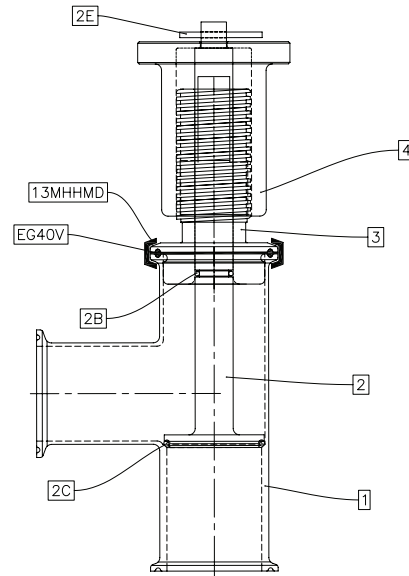
1. Body
2. Stem
- 2B. O-Ring Stem Seal
- 2C O-Ring Stem Seat
- 2E Cotter Pin
3. Bonnet
4. Handle

EG40V(SIZE)=Viton Clamp Gasket

13MHMD(SIZE)-H=Clamp

Max. Product Pressure 150 PSI

Max Temperature 200°F



Part Number Sequence When Ordering Complete Valve - EG60C-7-R-SIZE

E	G	60	C	7	R	SIZE
Polished	Clamped	Manual	Compression	Tee-Style	Rubber	1.0

Overall Length				
Valve Size	A	B		Approx WT LBS
		MIN	MAX	
1.0	5.375	5.750	6.375	2.25
1.5	6.375	8.000	9.625	6.3
2.0	7.875	8.750	11.000	9.9
2.5	9.250	10.375	13.500	18
3.0	10.375	12.500	16.375	26.1