

# Series 5457

## 2-Piece Ball Valve

### Features

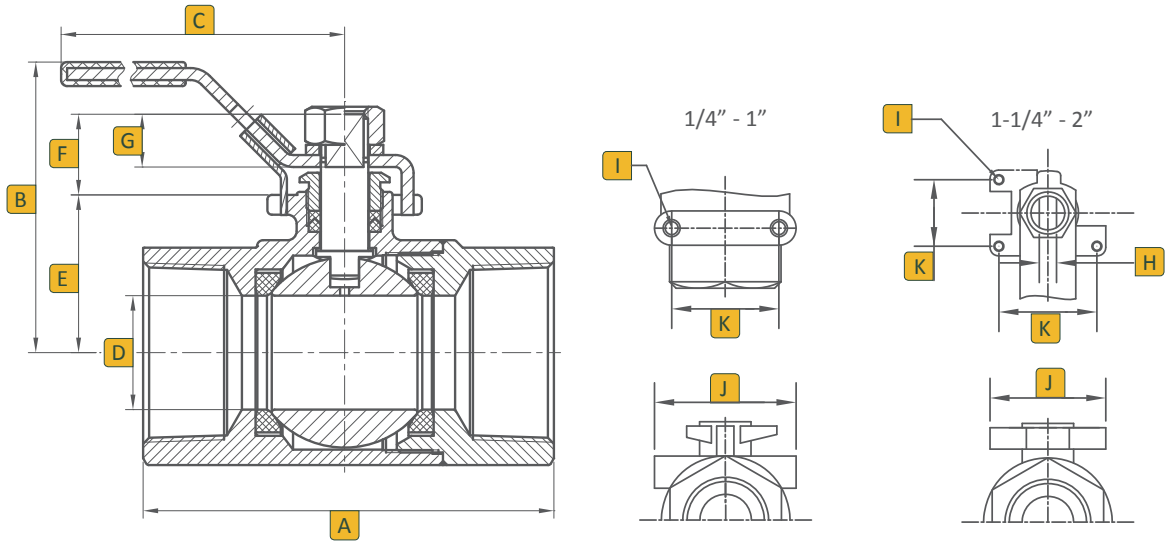
- Standard Port
- 2000 WOG (1/4" - 1")
- 1500 WOG (1-1/4" - 2")
- 150 lb. Steam Ratings (Saturated) with RTFE Seats
- Blowout Proof Stem
- Lockable Lever Handle
- Optional Spring Return Handle or Oval Handle
- Optional Nova Seats for up to 500° F

**SHARPE**<sup>®</sup>

Valves, Automation & Controls



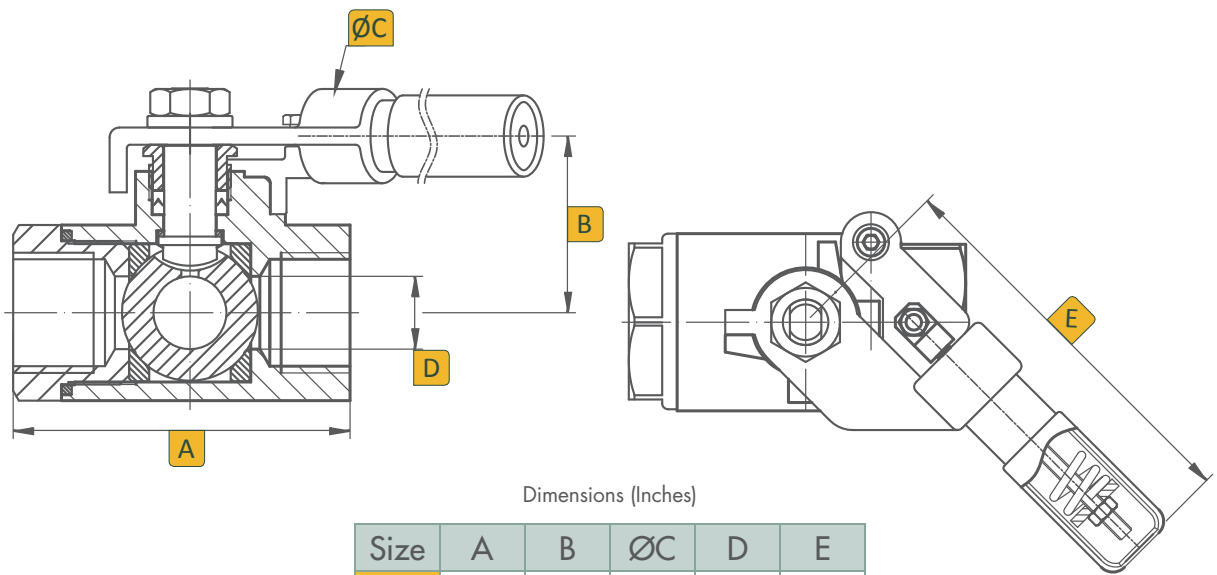
## Dimensions with Lever Handle



Dimensions (Inches)

Size	A	B	C	D	E	F	G	H	I	J	K
1/4	2.25	2.13	3.94	0.46	0.68	0.86	0.39	0.21	3/16-24	1.54	1.11
3/8	2.25	2.13	3.94	0.50	0.68	0.86	0.39	0.21	3/16-24	1.54	1.11
1/2	2.32	2.13	3.94	0.50	0.68	0.86	0.39	0.21	3/16-24	1.54	1.11
3/4	3.12	2.50	4.88	0.69	0.86	1.12	0.49	0.25	3/16-24	1.81	1.37
1	3.40	2.66	4.88	0.88	0.95	1.17	0.51	0.25	3/16-24	1.81	1.37
1-1/4	4.08	3.47	5.75	1.00	1.69	1.09	0.69	0.37	1/4-20	1.97	1.40
1-1/2	4.35	3.63	5.75	1.26	1.89	1.06	0.69	0.37	1/4-20	1.97	1.40
2	5.39	3.82	5.75	1.50	2.07	1.06	0.69	0.37	1/4-20	1.97	1.40

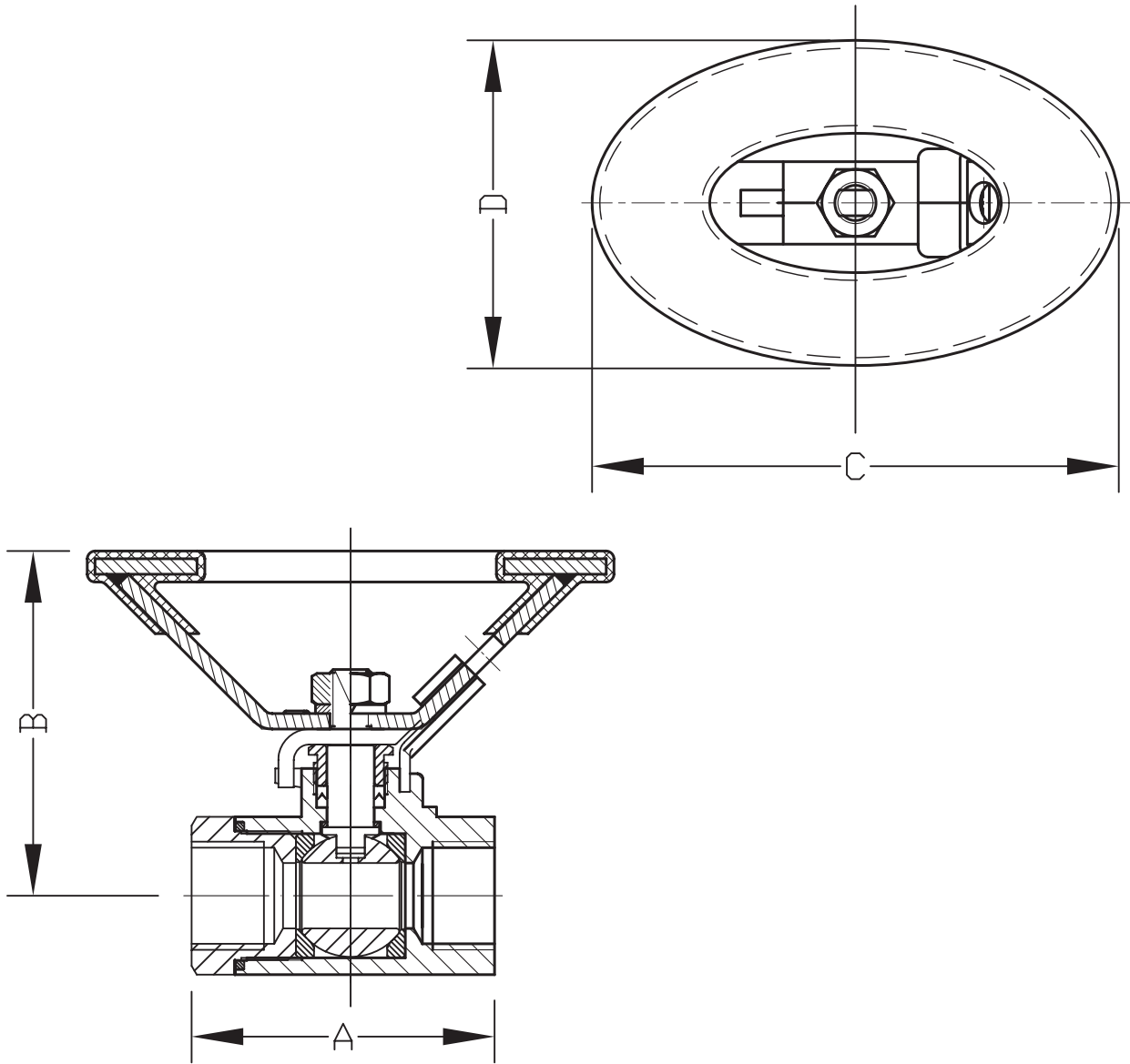
## Dimensions with Spring Return Handle



Dimensions (Inches)

Size	A	B	ØC	D	E
1/4	2.24	1.25	1.14	0.44	7.24
3/8	2.24	1.25	1.14	0.50	7.24
1/2	2.31	1.25	1.14	0.50	7.24
3/4	3.11	1.56	1.14	0.69	7.24
1	3.39	1.70	1.14	0.88	9.21
1-1/4	4.07	2.22	1.14	1.00	12.99
1-1/2	4.35	2.41	1.14	1.24	12.99
2	5.39	2.59	1.14	1.50	12.99

# Dimensions with Oval Handle

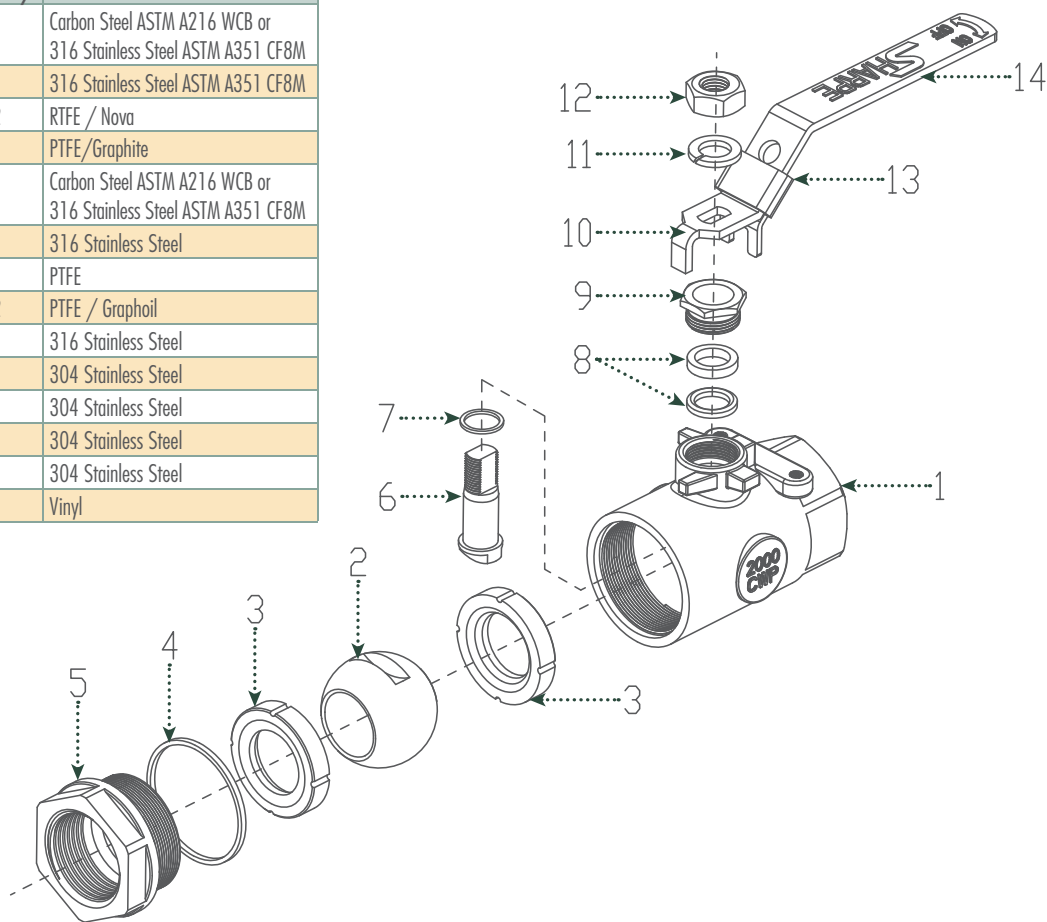


Size	A	B	C	D
1/4	2.24	3.10	1.77	2.24
3/8	2.24	3.10	1.77	2.24
1/2	2.31	3.10	2.00	2.24
3/4	3.11	3.62	4.00	2.51
1	3.39	3.62	4.00	2.51
1-1/4	4.07	4.39	5.25	3.20
1-1/2	4.35	4.57	5.25	3.20
2	5.38	4.76	5.25	3.20

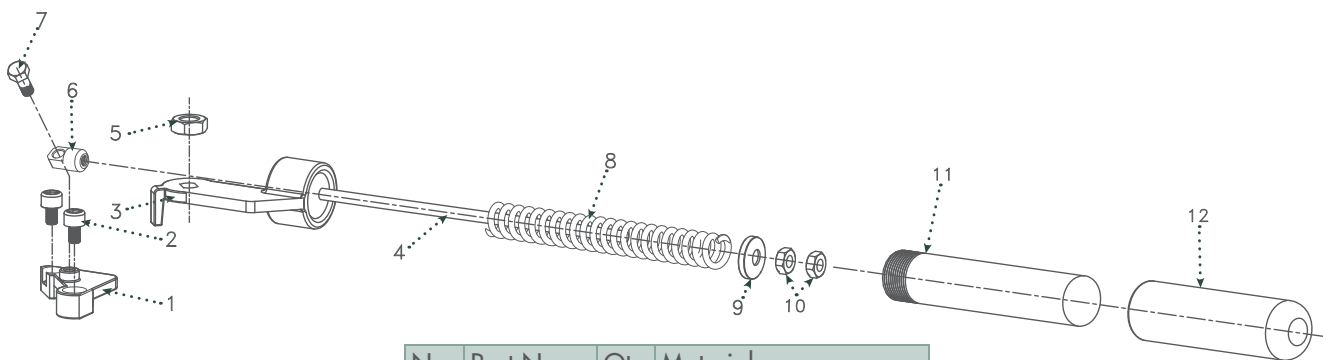
Dimensions (Inches)

## Parts & Materials Valve with Lever Handle

No.	Part Name	Qty	Material
1	Body	1	Carbon Steel ASTM A216 WCB or 316 Stainless Steel ASTM A351 CF8M
2	Ball	1	316 Stainless Steel ASTM A351 CF8M
3	Seat	2	RTFE / Nova
4	Gasket	1	PTFE/Graphite
5	Cap	1	Carbon Steel ASTM A216 WCB or 316 Stainless Steel ASTM A351 CF8M
6	Stem	1	316 Stainless Steel
7	Thrust Washer	1	PTFE
8	Stem Packing	2	PTFE / Graphoil
9	Packing Nut	1	316 Stainless Steel
10	Handle	1	304 Stainless Steel
11	Lock Washer	1	304 Stainless Steel
12	Handle Nut	1 <td 304 Stainless Steel	
13	Locking Device	1	304 Stainless Steel
14	Handle Sleeve	1	Vinyl

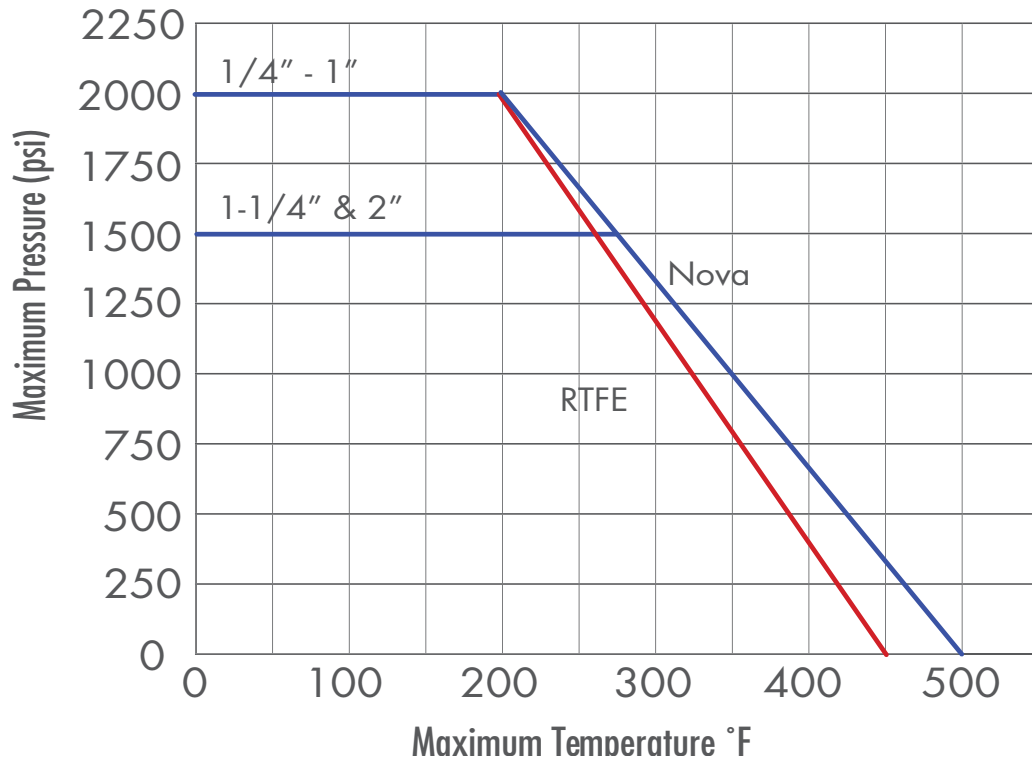


## Parts & Materials Spring Return Handle



No.	Part Name	Qty	Material
1	Handle Gland	1	304 Stainless Steel
2	Socket Screws	2	304 Stainless Steel
3	Handle Bracket	1	304 Stainless Steel
4	Bolt	1	304 Stainless Steel
5	Nut	1	304 Stainless Steel
6	Binder Nut	1	304 Stainless Steel
7	Machine Screws	1	304 Stainless Steel
8	Spring Coil	1	SWP
9	Flat Washer	1	304 Stainless Steel
10	Hex Nut	2	304 Stainless Steel
11	Handle Pipe	1	304 Stainless Steel
12	Handle Sleeve	1	Vinyl

Size	CV	Weight/lbs
1/4	6	0.7
3/8	6	0.7
1/2	9	0.7
3/4	24	1.4
1	35	1.8
1-1/4	47	3.2
1-1/2	81	4.3
2	105	6.1



Ordering

Fig: 1/2 - 5457 - 6 - N - OH  
 Description: 1/2" - 5457 - 316 Body - Nova Seat - Oval Handle

Size	Series	Body	Seat	Options
1/4	5457	4 Carbon Steel	R RTFE	OH Oval Handle
3/8		6 Stainless Steel	N Nova	SRH Spring Return Handle
1/2				
3/4				
1				
1-1/4				
1-1/2				
2				