

Series 35116

150# Flanged Stainless Steel Gate Valve

Features

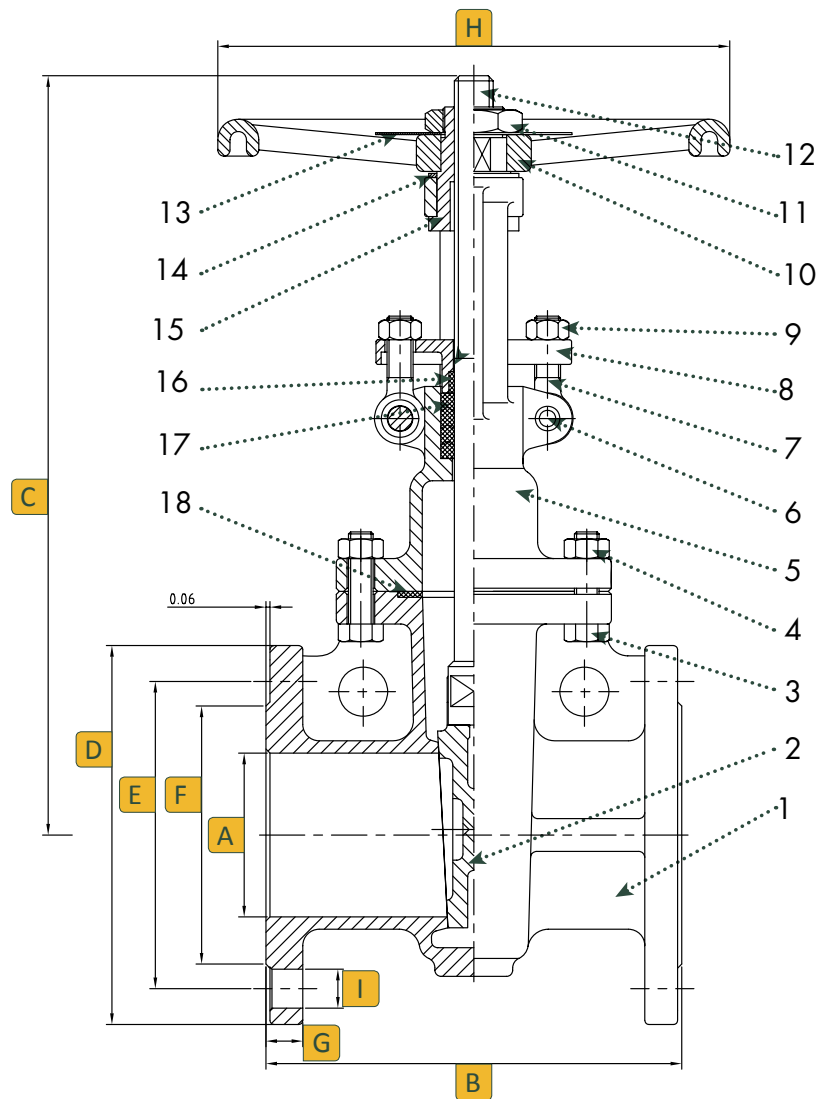
- Outside screw and yoke
- Bolted bonnet
- Flexible wedge, fully guided
- Integrated seats
- Rising stem and non-rising hand-wheel
- Flanged ends
- Butt-weld ends
- Available with gear operator
- Applicable Standards:
 - Gate valves API 603
 - Steel valves ANSI B16.34
 - Face to face ANSI B16.10
 - End flanges ANSI B16.5
 - Butt-weld ends ANSI B16.25
 - Inspection and test API 598



Valves, Automation & Controls



1/2" - 12" Dimensions, Parts & Materials

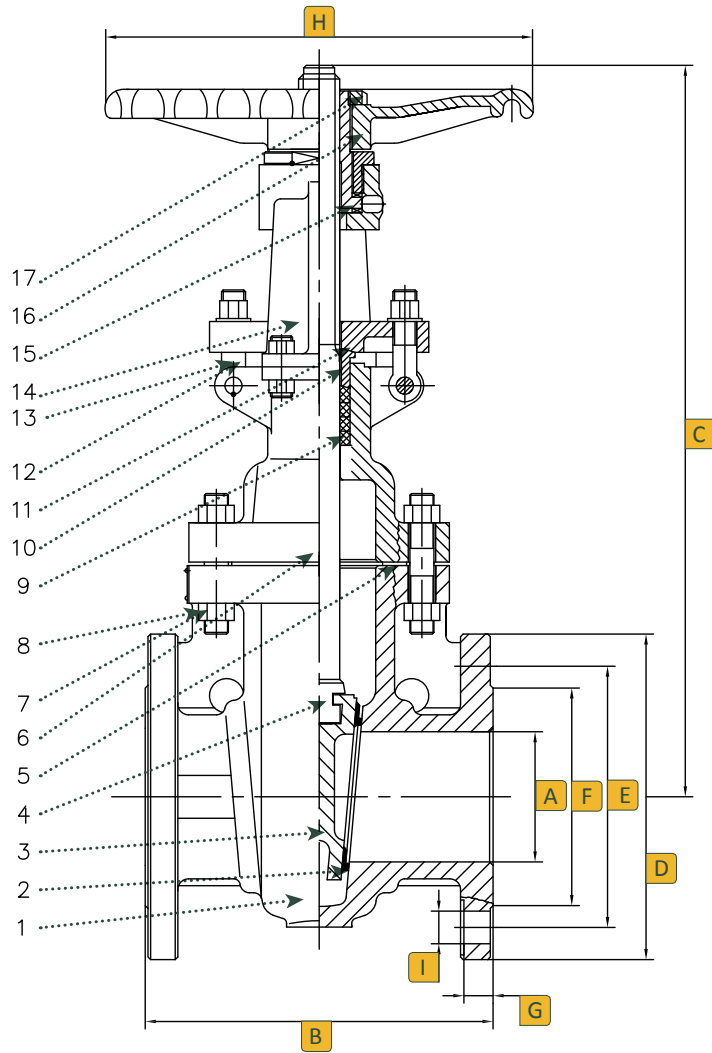


Dimensions (Inches)

Size	A	B	C	D	E	F	G	H	I	Num of Bolt Holes
1/2	0.59	4.25	7.50	3.50	2.38	1.38	0.48	4.72	0.62	4
3/4	0.79	4.61	7.68	3.88	2.75	1.69	0.48	4.72	0.62	4
1	0.98	5.00	9.21	4.25	3.12	2.00	0.48	4.72	0.62	4
1-1/2	1.57	6.50	11.57	5.00	3.88	2.88	0.56	7.87	0.62	4
2	1.97	7.01	13.03	6.00	4.75	3.62	0.62	7.87	0.75	4
2-1/2	2.56	7.48	15.47	7.00	5.50	4.12	0.69	7.87	0.75	4
3	3.15	7.99	18.50	7.50	6.00	5.00	0.75	9.84	0.75	4
4	3.94	9.02	21.45	9.00	7.50	6.19	0.94	9.84	0.75	8
5	4.92	10.00	25.20	10.00	8.50	7.31	0.94	11.81	0.88	8
6	5.91	10.51	29.13	11.00	9.50	8.50	1.00	11.81	0.88	8
8	7.87	11.50	35.83	13.50	11.75	10.62	1.12	13.78	0.88	8
10	9.84	12.99	43.19	16.00	14.25	12.75	1.19	15.75	1.00	12
12	11.81	14.02	50.59	19.00	17.00	15.00	1.25	15.75	1.00	12

No.	Part Name	Qty	Material
1	Body	1	316 Stainless Steel ASTM A351 CF8M
2	Disc	1	316 Stainless Steel ASTM A351 CF8M
3	Bonnet Bolt	1	304 Stainless Steel
4	Bonnet Nut	1	304 Stainless Steel
5	Bonnet	1	316 Stainless Steel ASTM A351 CF8M
6	Hinge Pin	1	304 Stainless Steel
7	Eye Bolt	1	304 Stainless Steel
8	Gland	1	316 Stainless Steel ASTM A351 CF8M
9	Eye Nut	1	304 Stainless Steel
10	Hand Wheel	1	A47 / A536
11	Nut	1	Brass
12	Stem	1	A182 - F316
13	Name Plate	1	304 Stainless Steel
14	Spring	1	Brass
15	Yoke Sleeve	1	Brass
16	Gland Packing	1	PTFE / Graphite
17	Packing	1	PTFE
18	Gasket	1	PTFE / Grafoil + 316 Sheet

14" - 24" Dimensions, Parts & Materials



Size	A	B	C	D	E	F	G	H	I	Num of Bolt Holes
14	13.27	15.00	59.65	21.00	18.75	18.75	1.38	19.69	1.125	12
16	15.24	16.00	67.76	23.50	21.25	21.25	1.44	19.69	1.125	16
18	17.24	17.00	74.92	25.00	22.75	22.75	1.56	23.62	1.125	16
20	19.25	18.00	82.83	27.50	25.00	25.00	1.69	23.62	1.125	20
24	23.27	20.00	99.02	32.00	29.50	29.50	1.88	27.56	1.125	20

No.	Part Name	Material
1	Body	316 Stainless Steel ASTM A351 CF8M
2	Seal Face	316 Stainless Steel
3	Wedge	316 Stainless Steel ASTM A351 CF8M
4	Stem	ASTM A182 F316
5	Gasket	Solid Metal Serrated Gasket
6	Bonnet	316 Stainless Steel ASTM A351 CF8M
7	Bonnet Bolt	B8 A193
8	Bonnet Nut	Gr. 8 A194
9	Stem Packing	Graphite
10	Gland	ASTM A182 F316
11	Gland Flange	CF8 A351
12	Gland Eyebolt	B8 A193
13	Gland Nut	Gr. 8 A194
14	Yoke	316 Stainless Steel ASTM A351 CF8M
15	Stem Nut	Steel
16	Hand Wheel	Ductile Iron
17	Lock Nut	ANSI 1020

Shell Test Water	Seat Test Water	Seat Test Air
450 psi	314 psi	80 psi

Temperature °F	Working Pressure psi
-20 to 100	275
200	235
300	215
400	195
500	170
600	140
650	125
700	110
750	95
800	80
850	65
900	50
950	35
1000	20

Ordering

Fig: 8 - 35 - 1 - 1 - 6
Description: 8" - Series 35 - 150# Flange Ends - Stainless Steel

Size	Series	Class	Ends	Body Material	Options	
1/2	35	1	150 Flange	1 Flange	6 316 Stainless Steel	X Oxygen Service
3/4				2 Butt-weld		SF Silicon Free
1						RTJ Ring Type Joint Flange
1-1/2						
2						
2-1/2						
3						
4						
5						
6						
8						
10						
12						
14						
16						
18						
20						
24						