

# VALLEES



**Butterfly Valves**

## BUTTERFLY VALVES

### “B” SERIES BUTTERFLY VALVES

#### BUTTERFLY VALVES....

Butterfly Valves are available in Manual, Air Actuated, or Air Actuated with two Micro switches and a Solenoid Valve. Clamp or Weld ends are standard. Other connections are available upon request.

Available seat materials include Silicone, Viton®, and EPDM. Sizes range from 1” through 4”. All product contact surfaces are available in either T304 or T316 stainless steel.



#### BUTTERFLY VALVES SPECIFICATIONS....

**Size Range:** 1” through 4” sizes available

**Materials:** T304  
T316

**Info:** All stainless handle with eight positions is standard. Each position is set in 45° increments.

Silicone seats are standard - other seats available are EPDM and Viton®.

#### ORDERING SPECIFICATIONS....

- Specify:**
- Quantity
  - Product description or Part No.
  - Size
  - Material Type

#### VNE CORPORATION

P.O. Box 1698 • 1149 Barberry Drive • Janesville, WI 53547

TEL: 608-756-4930 • FAX: 608-756-3643 • 1-800-356-1111 • Web site: [vnestainless.com](http://vnestainless.com)

## PNEUMATICALLY OPERATED

### PNEUMATICALLY OPERATED BUTTERFLY VALVE INFORMATION

- Air to open, spring to close is standard.
- Unique design provides higher torque at final closing of disc.
- One actuator fits 1" through 4" valves.
- Air pressure required 73-108 psi to operate actuator.
- No spare parts required.
- Maintenance free actuator.

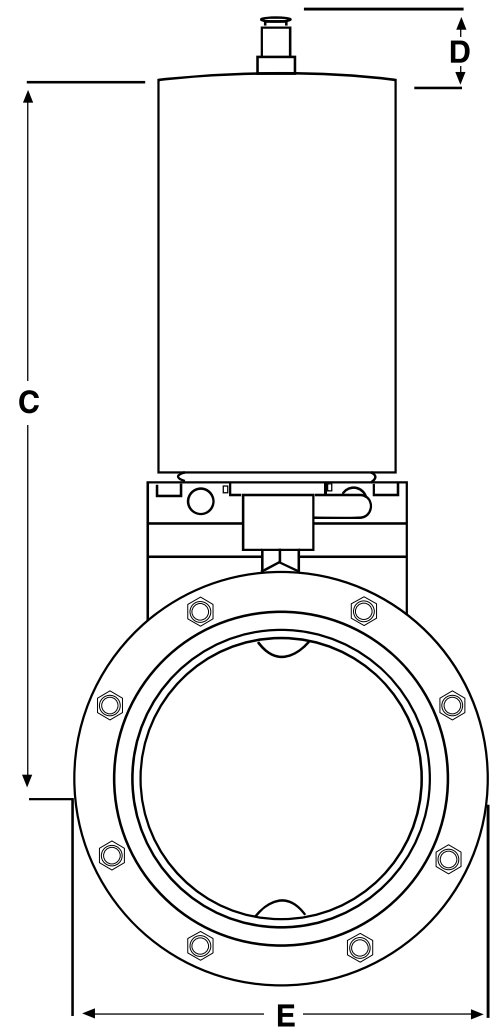
### TECHNICAL APPLICATION DATA

- Maximum product pressure 10 Bar / 145 PSI
- Maximum short time sterilization temperature:
  - 130° C / 266°F EPDM
  - 130° C / 266°F Silicon
  - 140° C / 284°F Viton
- Minimum product temperature 14°F

## PNEUMATICALLY OPERATED BUTTERFLY VALVE

### DIMENSIONAL CHART

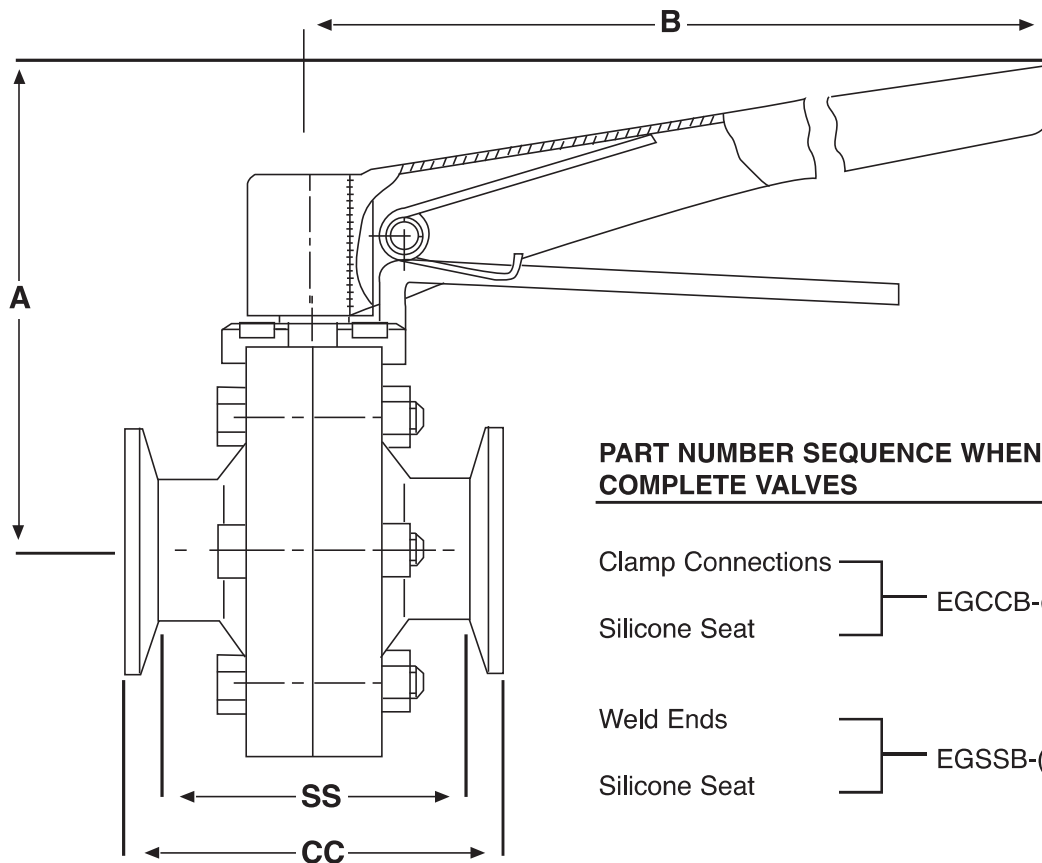
Size	C	C	D	E
	All Steel Internal	Polymer Internals		
1"	7 57/64"	8 23/32	3/4"	2 61/64"
1 1/2"	8 3/64"	8 57/64	3/4"	3 3/16"
2"	8 11/32"	9 11/64	3/4"	3 21/32"
2 1/2"	8 37/64"	9 13/32	3/4"	4 3/32"
3"	8 53/64"	9 21/32	3/4"	4 17/32"
4"	9 7/16"	10 17/64	3/4"	5 43/64"



## MANUAL BUTTERFLY VALVE

### MANUAL BUTTERFLY VALVE INFORMATION

**Note:** If other Elastomer is required add suffix as follows: (E) EPDM (V) Viton®



#### PART NUMBER SEQUENCE WHEN ORDERING COMPLETE VALVES

- Clamp Connections
  - Silicone Seat
  - Weld Ends
  - Silicone Seat
- } EGCCB-(Valve Size)
- } EGSSB-(Valve Size)

Note: To order above items in T316 add a 6 before size.  
IE: EGSSB-6-SIZE

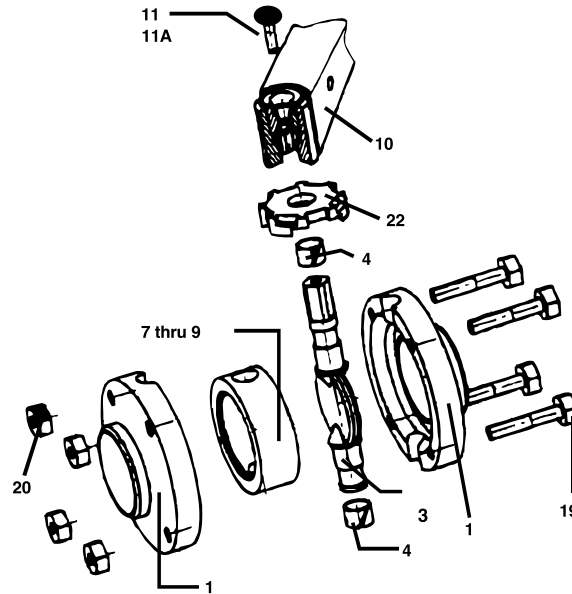
## MANUAL BUTTERFLY VALVE

### DIMENSIONAL CHART

Size	CC	SS	A	B	Number of Bolts
1"	2 13/16"	1 13/16"	4 19/32"	7"	4
1 1/2"	2 13/16"	1 13/16"	4 23/32"	7"	4
2"	2 13/16"	1 13/16"	4 15/16"	7"	6
2 1/2"	3 3/8"	2 3/8"	5 5/32"	7"	6
3"	3 3/4"	2 3/4"	5 3/8"	7"	6
4"	4"	2 3/4"	5 15/16"	7"	8

## MANUAL BUTTERFLY VALVE

### PARTS DRAWING & INFORMATION



## MANUAL BUTTERFLY VALVE

### PARTS LIST

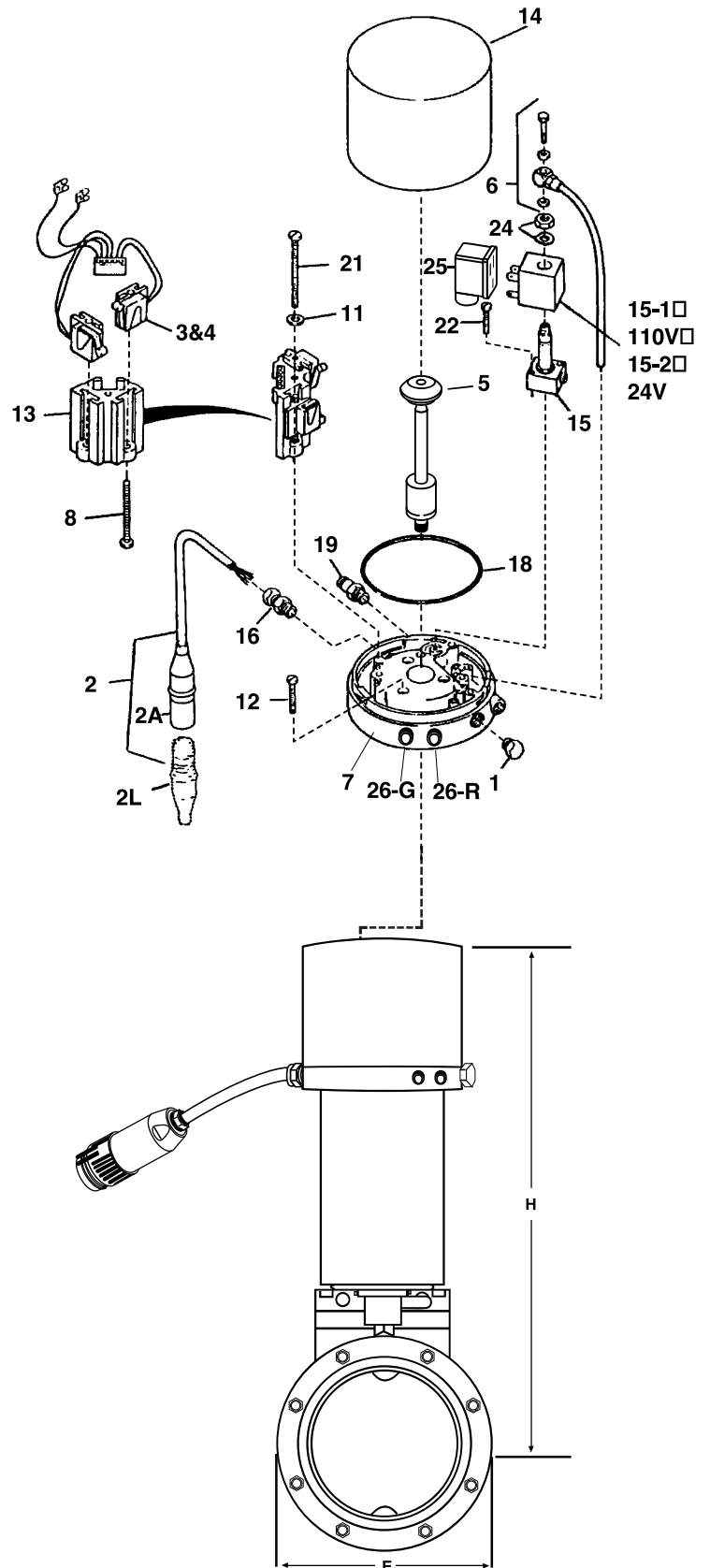
Item	Part Number	Description
1	*BVP-B-96-1-(size)	Body Half - Weld End
1A	*BVP-B-96-1A-(size)	Body Half - Bevel Seat Thread (not shown)
2	*BVP-B-96-2-(size)	Body Half - Clamp (not shown)
3	*BVP-B-96-3-(size)-H	Disc
4	BVP-B-96-4-(size)-H	Teflon Bushing (2 required)
7	BVP-B-96-7-(size)-H	Seat - Silicone (Standard)
8	BVP-B-96-8-(size)-H	Seat - EPDM
9	BVP-B-96-9-(size)-H	Seat - Viton®
10	BVP-B-96-10	All Stainless Handle
11	BVP-B-96-11	Thumbscrew
11A	BVP-B-00-11A	Allen Head Handle Seat Screw
15A	BVP-B-96-15A	Mounting Bracket for Actuator on Clamp Type Valve (not shown)
15B	BVP-B-96-15B	Mounting Bracket for Actuator on Flange Type Valve (not shown)
19	BVP-B-96-19	Bolts for Body Half
19L	BVP-B-96-19L	Long Bolts for Mounting Actuator Bracket (not shown)
20	BVP-B-96-20	Nuts for Body Half
20A	BVP-B-96-20A	Wing Nuts for Body Half (not shown)
20AS	BVP-B-96-20AS	Wing Nuts for 3" Body Half Only (not shown)
22	BVP-B-96-22	Handle Seat

\*To order above items in T316 stainless steel add a 6 before size. IE: BVP-B-96-1-6-SIZE

## ELECTRONIC BUTTERFLY VALVE

### ELECTRONICALLY-CONTROLLED PNEUMATICALLY OPERATED BUTTERFLY VALVE

- Electro-magnetic air solenoid valve provides quick positive response to control signal
- Two limit switches provide confirmation of valve position to central control panel
- Available in 110V or 24V
- All controls are protected under the splash-proof cover on top of the cylinder
- Two Indicating Lights on outside of valve for visual inspection



## ELECTRONIC ACTUATOR

### PARTS LIST

Item	Part Number	Description
1	BVP-ACTUC-1	Stainless Plugs (2)
2	BVP-ACTUC-2	Elec. Adapter (Complete)
2A	BVP-ACTUC-2A	Elec. Adapter (Actuator Side)
2L	BVP-ACTUC-2L	Elec. Adapter (Line Side)
3+4	BVP-ACTUC-3+4	Micro Switches with Harness and Terminal Strip (Complete)
5	BVP-ACTUC-5	Micro Switch Activator
6	BVP-ACTUC-6	Air Vent Tube Assembly
7	BVP-ACTUC-7	Plastic Molded Base
8	BVP-ACTUC-8	Adj. Screws for Micro Switch (2 Required)
11	BVP-ACTUC-11	Washer for Block
12	BVP-ACTUC-12	Base Screws (3 Required)
13	BVP-ACTUC-13	Switch Block
14	BVP-ACTUC-14	Cover
15	BVP-ACTUC-15	Solenoid Valve
15-1	BVP-ACTUC-15-1	110V Coil Only
15-2	BVP-ACTUC-15-2	24V Coil Only
16	BVP-ACTUC-16	Cable Adapter Fitting
18	BVP-ACTUC-18	Cover O-Ring
19	BVP-ACTUC-19	Air Inlet Fitting
21	BVP-ACTUC-21	Screw for Block
22	BVP-ACTUC-22	Screws for Solenoid (2 Required)
24	BVP-ACTUC-24	Nut and Washer for Coil-Solenoid
25	BVP-ACTUC-25	Plug Connection to Solenoid
26-G	BVP-ACTUC-26G	Indicating Light (Green)
26-R	BVP-ACTUC-26R	Indicating Light (Red)
23	BVP-B-96-23	Air Inlet Fitting (not shown)
24	BVP-B-96-24	Coupler for Clamp Type Valve. Visual Stem Indicator (not shown)
25	BVP-B-96-25	Coupler for Flange Type Valve. Visual Stem Indicator (not shown)
25A	BVP-B-96-25A	Rivet for Coupler (not shown)

## ELECTRONICALLY-CONTROLLED PNEUMATICALLY OPERATED VALVE

### DIMENSIONAL CHART

Size	E	H
1"	2 61/64"	11 57/64"
1 1/2"	3 3/16"	12 3/64"
2"	3 21/32"	12 11/32"
2 1/2"	4 3/32"	12 37/64"
3"	4 17/32"	12 53/64"
4"	5 43/64"	13 7/16"

## PNEUMATICALLY OPERATED AND/OR ELECTRONICALLY-CONTROLLED BUTTERFLY VALVE

### PART NUMBER SEQUENCE WHEN ORDERING COMPLETE VALVES

---

<b>ASPCCB (Size) -</b>	Clamp End T304 Butterfly Valve with Electronically Controlled all Stainless Air to Spring Actuator & Silicone Seat.
<b>ASPSSB (Size) -</b>	Weld End T304 Butterfly Valve with Electronically Controlled all Stainless Air to Spring Actuator & Silicone Seat
<b>ASPCCB-NE (Size) -</b>	Clamp End T304 Butterfly Valve with all Stainless Air to Spring Actuator & Silicone Seat
<b>ASPSSB-NE (Size) -</b>	Weld End T304 Butterfly Valve with all Stainless Air to Spring Actuator & Silicone Seat
<b>ASPCCB-6 (Size) -</b>	Clamp End T316L Butterfly Valve with Electronically Controlled all Stainless Air to Spring Actuator & Silicone Seat.
<b>ASPSSB-6 (Size) -</b>	Weld End T316L Butterfly Valve with Electronically Controlled all Stainless Air to Spring Actuator & Silicone Seat
<b>ASPCCB-6NE (Size) -</b>	Clamp End T316L Butterfly Valve with all Stainless Air to Spring Actuator & Silicone Seat
<b>ASPSSB-6NE (Size) -</b>	Weld End T316L Butterfly Valve with all Stainless Air to Spring Actuator & Silicone Seat
<b>APPCCB-NE (Size) -</b>	Clamp End T304 Butterfly Valve with Stainless & Polymer Internal Components Air to Spring Actuator & Silicone Seat
<b>APPSSB-NE (Size) -</b>	Weld End T304 Butterfly Valve with Stainless & Polymer Internal Components Air to Spring Actuator & Silicone Seat
<b>APPCCB-6NE (Size) -</b>	Clamp End T316L Butterfly Valve with Stainless & Polymer Internal Components Air to Spring Actuator & Silicone Seat
<b>APPSSB-6NE (Size) -</b>	Weld End T316L Butterfly Valve with Stainless & Polymer Internal Components Air to Spring Actuator & Silicone Seat

Note: If other Elastomer is required add suffix as follows: (E) EPDM  
(V) Viton®

<b>ACT-AS-NE-B -</b>	All Stainless Air to Spring T304 Actuator
<b>ACT-AP-NE-B -</b>	Stainless & Polymer Internal Components Air to Spring T304 Actuator
<b>ACT-AS-(110V/ 24V) -</b>	All Stainless Electronically Controlled Air to Spring T304 Actuator. Designate 110V or 24V