

VALVES



Check Valves

CHECK VALVES

BALL, SPRING AND AIR BLOW CHECK VALVES

CHECK VALVES....

Check Valves are widely used for both sanitary and industrial applications to prevent backflow of product.

Ball Check Valves are designed to allow full product flow during processing. Once the product flow stops the ball rolls back to the seat at inlet preventing back flow. Ball Check Valves are commonly used with liquid products. Sizes range 1 1/2" - 3".

Spring Check Valves are designed to assist closure pressure to create a positive shutoff. They are commonly used with liquid products. Sizes range 1/2" - 4".

Both valves are offered with standard clamp ends. Other connections are available upon request. Valves are made of T316L stainless steel.

Air Blow Check Valves are designed to evacuate lines of product or CIP solutions. Air Blow Check Valves are made of T316L Stainless Steel.



ORDERING SPECIFICATIONS....

- Specify:**
- Quantity
 - Product description or Part No.
 - Size
 - Material Type

VNE CORPORATION

P.O. Box 1698 • 1149 Barberry Drive • Janesville, WI 53547

TEL: 608-756-4930 • FAX: 608-756-3643 • 1-800-356-1111 • Web site: vnestainless.com

BALL CHECK VALVE

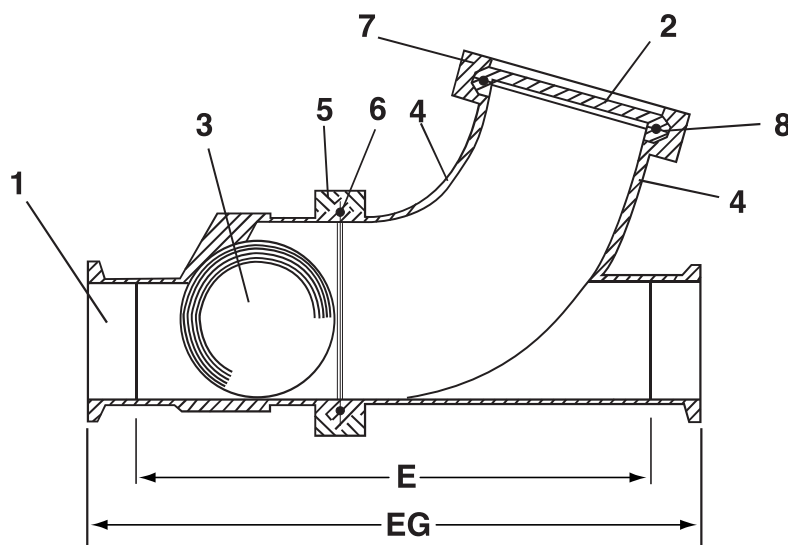
INFORMATION

- Precision machined seat to ensure positive shut-off
- Two-piece construction for easier alignment during installation
- Other connections available upon request
- Buna-N and Viton® elastomers
- Polished ID and OD
- All metal contact surfaces of T316L stainless steel
- Sizes range from 1 1/2" through 3"
- Meets 3A sanitary standards
- Buna Ball & Gaskets Standard



PARTS BREAKDOWN

1. Seat body - (Clamp)
- 1W. Seat body - (Weld)
2. Cap
- 3B. Ball-(Buna-N)
- 3V. Ball-(Viton®)
4. Angle body
- 4W. Angle body-(Weld)
5. Body clamp
- 6B. Body gasket-(Buna-N)
- 6V. Body gasket-(Viton®)
7. Cap clamp
- 8B. Cap gasket-(Buna-N)
- 8V. Cap gasket-(Viton®)



PART NUMBER SEQUENCE WHEN ORDERING COMPLETE VALVE:

- Clamp connections EG45BY-6 (valve size)
 Weld ends E45BYWW-6 (valve size)
 Note: If Viton® elastomers are required, add "V" after size

PART NUMBER SEQUENCE WHEN ORDERING REPLACEMENT PARTS:

- BCV (item number) - (valve size)
 Example: BCV3B-1.5 = Buna-N ball for 1.5 valve

Valve Size	Nominal Size				Actual Size	Overall Length		Approx. Wt. Lbs.
	1 & 4 Body	2 Cap	5 & 7 Clamp	6 & 8 Gasket	3 Ball	EG Clamp	E Weld	
1.5	1.5"	2.5"	2.5"	2.5"	2 1/8"	10	9	4.80
2.0"	2.0"	3.0"	3.0"	3.0"	2 5/8"	11	10	6.30
2.5"	2.5"	4.0"	4.0"	4.0"	3 5/16"	14 1/8	13 1/8	10.20
3.0"	3.0"	4.5"	4.5"	4.5"	4 1/4"	13 5/8	12 5/8	11.50
*3.0"	3.0"	4.0"	4.0"	4.0"	3 5/16"	13 5/8"	12 5/8"	11.50

* Redesigned February 2003. Valves purchased after 2/03 use *3.0 dimensions.

SPRING CHECK VALVE

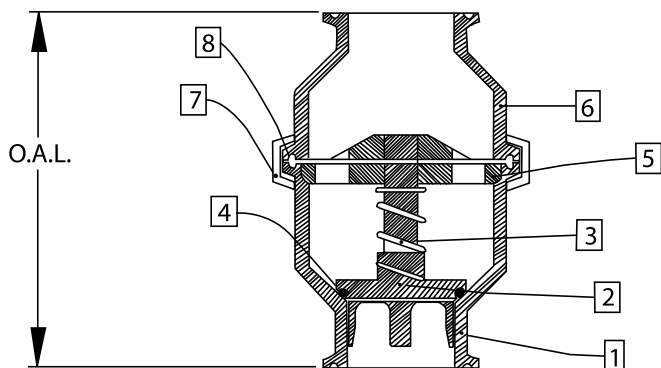
INFORMATION

- One piece stem with O-Ring construction (easy seal replacement and positive shut-off)
- Viton O-Ring standard (other available upon request)
- Clamp connections standard (other connections available upon request)
- Full Polished ID and OD
- All metal contact surfaces of T316L Stainless Steel
- Sizes range from .5" through 4.0"
- Meets 3A sanitary standards



PARTS BREAKDOWN

1. Lower body - (Body)
2. Stem - (2.0 thru 4.0 have guide fingers)
3. Spring - (3-5 psi) (Available upon request)
- 3L Spring Light - (1-3 psi) Standard
4. O -Ring - standard Viton
5. Stem guide
6. Upper body - (Bonnet)
7. Body Clamp .5 and" .75" = 13MHHM1.5 - H
Body Clamp 1.0" and 1.5" = 13MHHM2.5 - H
Body Clamp 2.0" = 13MHHM3.0 - H
Body Clamp 2.5" = 13MHHM4.0 - H
Body Clamp 3.0" = 13MHHM5.0 - H
Body Clamp 4.0" = 13MHP6.0
8. Clamp Gasket .5 and .75 = EG40V 1.5
Clamp Gasket 1.0 and 1.5 = EG40V 2.5
Clamp Gasket 2.0 = EG40V 3.0
Clamp Gasket 2.5 = EG40V 4.0
Clamp Gasket 3.0 = EG40V 5.0
Clamp Gasket 4.0 = EG40V 6.0



PART NUMBER SEQUENCE WHEN ORDERING COMPLETE VALVE:

45 (spring check) C (clamp) 6 (T316L) 2.0 (size) V (seat material) Example: 45C - 6 2.0 - V

When requesting O-Ring changes add the following to the end of part number

Note: V=Viton E=EDPM S=Silicone B=Buna,

PART NUMBER SEQUENCE WHEN ORDERING REPLACEMENT PARTS:

45-SCV (item number) - (valve size)

Example: 45-SCV1C-1.5 = Lower body clamp for 1.5 valve

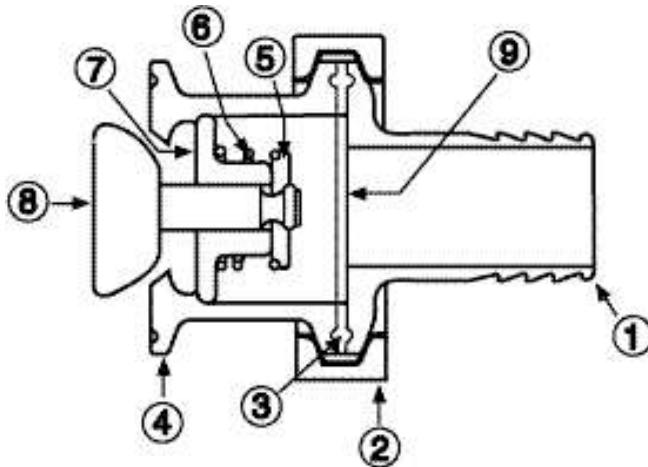
Overall Length			
Valve Size	Standard Clamp	Weld and Other	Approx WT LBS
.5"	3 1/2	A.O.R	2.2
.75"	3 1/2	A.O.R,	2.2
1.0"	4 1/8	A.O.R	3.5
1.5"	4 9/16	A.O.R,	3.5
2.0"	5 1/16	A.O.R,	5.4
2.5"	5 3/8	A.O.R,	6
3.0"	6 1/8	A.O.R,	6.25
4.0"	8 1/8	A.O.R,	16

AIR BLOW CHECK VALVE

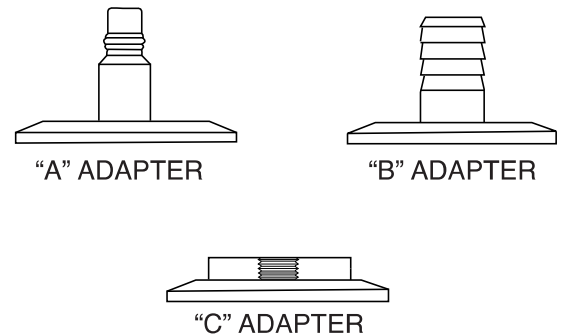
ILLUSTRATION

Air Blow Check Valves are made of T316L Stainless Steel and are offered with EPDM or Viton® Elastomers.

Note: EDPM Stem Standard



AIR BLOW CHECK VALVE CONNECTIONS



PART NUMBER SEQUENCE WHEN ORDERING COMPLETE VALVE

EG62A-6L SIZE = "A" Connection

EG62B-6L SIZE = "B" Connection (shown)

EG62C-6L SIZE = "C" Connection

For Viton® Add "V" to end of part number

PARTS LIST

1. ADAPTER

- ABV1A = Air Line Quick Coupler
- ABV1B = Rubber Hose Barb 1"
- ABV1C = Thermometer Cap
- 1. EG23B-6L 1.5 x .375 FNPT
- 2. EG23B-6L 1.0 x .500 FNPT

2. CLAMP

- 13MHM 1.5 = 1 1/2" All Sizes

3. PERFORATED DISC

- ABV3 1.5 = 1 1/2" EPDM
- ABV3-V 1.5 = 1 1/2" Viton®

4. VALVE BODY

- ABV4 1.5 = 1 1/2" Clamp Body
- ABV4 2.0 = 2" Clamp Body
- ABV4 2.5 = 2 1/2" Clamp Body
- ABV4 3.0 = 3" Clamp Body
- ABV4 4.0 = 4" Clamp Body

5. SPRING RETAINER

- ABV5 = All Sizes

6. SPRING

- ABV6 = All Sizes

7. STEM GUIDE

- ABV7 = All Sizes

8. STEM

- ABV8 = EPDM Stem
- ABV8-V = Viton® Stem

9. FILTER DISC

- ABV9
- 50 / PKG.

AIR BLOW CHECK VALVE

AIR BLOW CHECK VALVE ABILITIES

- VNE Air Blow Check Valves are designed to evacuate lines of product or CIP solutions.
- Fail Safe Operation - backflow of product or CIP solution prevented by simple air to open, spring to close operation.
- Easy Assembly / Disassembly - Clamp connections permit quick disassembly and assembly for replacing Filter Media, cleaning or inspection.
- Made of T316L stainless steel offered with EPDM or Viton® Stem and Gasket.
- Meets 3A standards - for applications requiring a final filtering of air prior to entering tank or pipelines.
- Note:
The Air Blow Check Valve must be used with a Filter Disc. These Filter Discs are available in packages of 50.

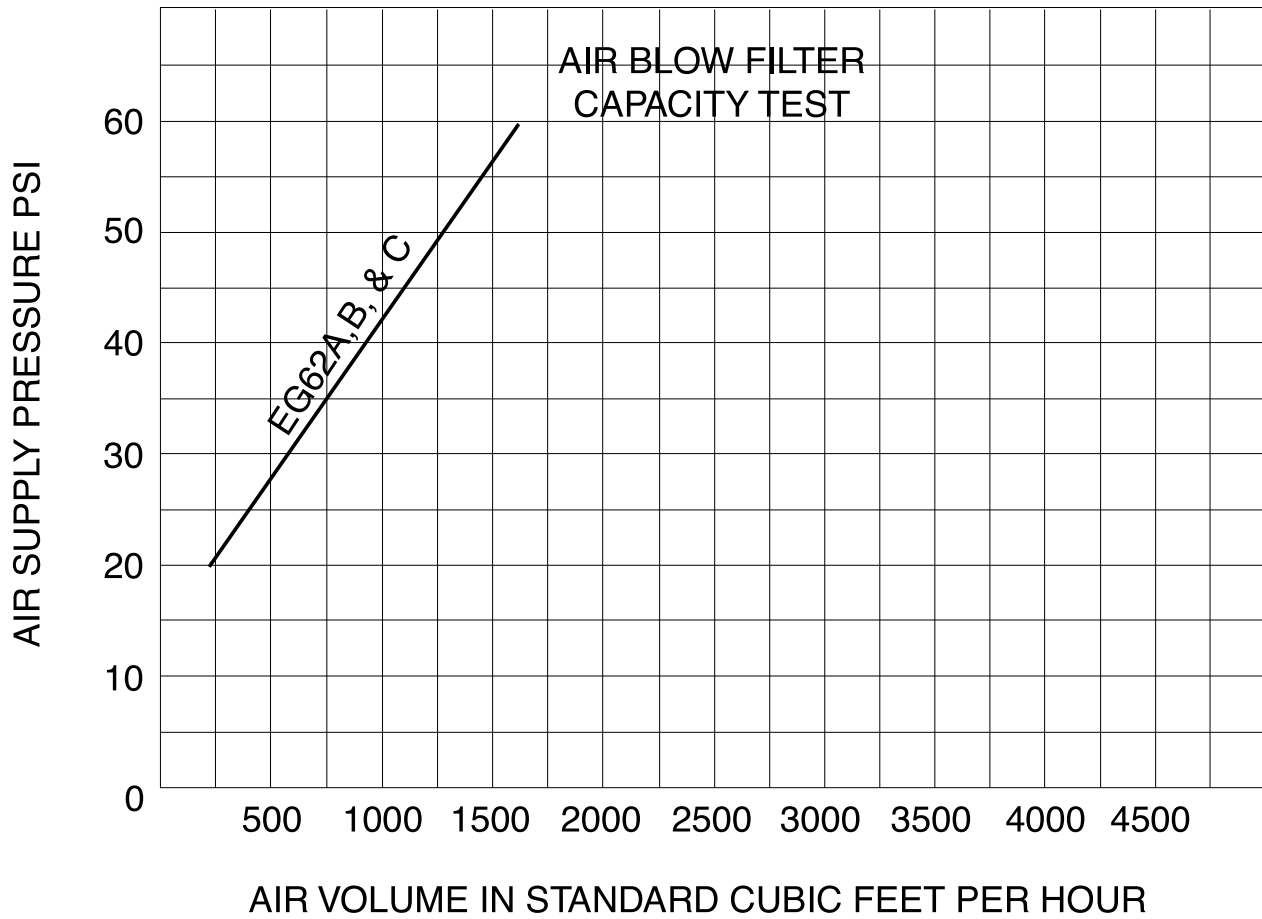
- * For use on Ball Check Valves:
 - 1 1/2" Ball Check Valve uses 2 1/2" Air Blow Valve
 - 2" Ball Check Valve uses 3" Air Blow Valve
 - 2 1/2" Ball Check Valve uses 4" Air Blow Valve
 - 3" Ball Check Valve uses 4" Air Blow Valve

AIR BLOW CHECK VALVE DIMENSION TABLE

Part Number	Description		1 1/2"	2"	2 1/2"	3"	4"
EG62A-6L	"A" Adapter	Length	2.500	2.500	2.500	2.500	2.500
EG62A-6L	"A" Adapter	O.D.	1.984	2.516	3.047	3.579	4.682
EG62B-6L	"B" Adapter	Length	4.875	4.875	4.875	4.875	4.875
EG62B-6L	"B" Adapter	O.D.	1.984	2.516	3.047	3.579	4.682
EG62C-6L	"C" Adapter	Length	2.000	2.000	2.000	2.000	2.000
EG62C-6L	"C" Adapter	O.D.	1.984	2.516	3.047	3.579	4.682

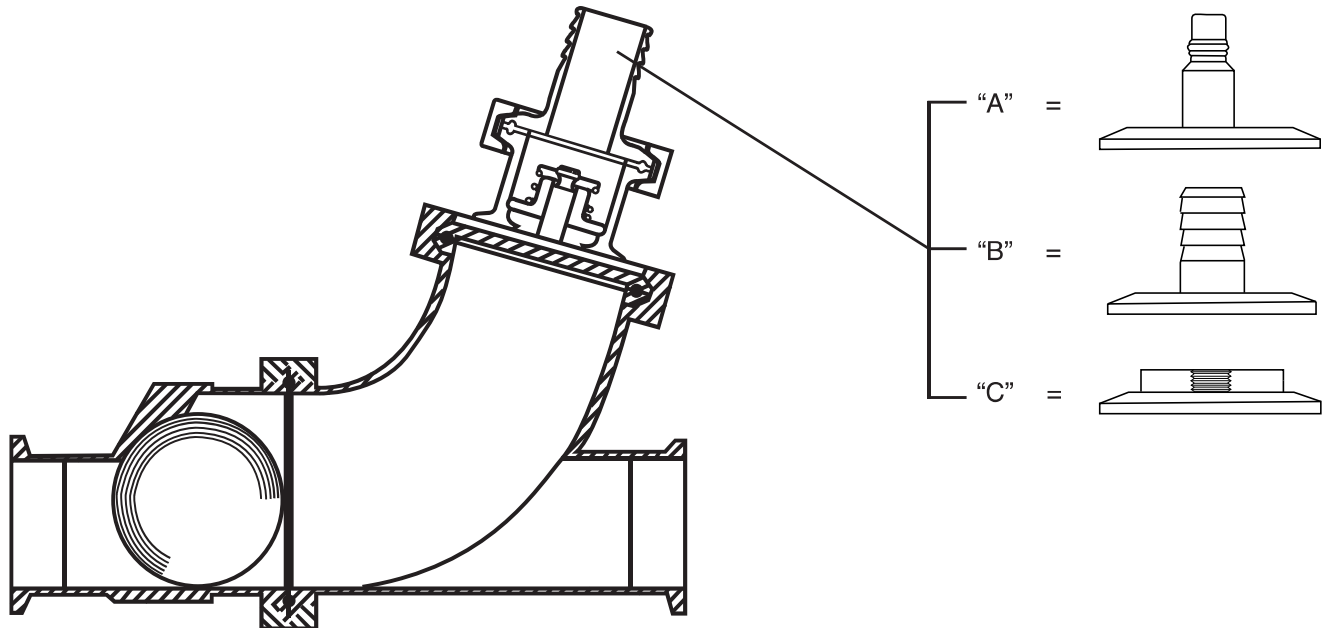
AIR BLOW CHECK VALVE

DISPOSABLE AIR FILTER MEDIA CAPACITY TEST



AIR BLOW CHECK VALVE

BALL CHECK WITH AIR BLOW CHECK VALVE



* For dimensional information see individual components

BALL CHECK WITH AIR BLOW CHECK VALVE

- Air Blow Check Valves are commonly used on ball check valves to evacuate lines of product or CIP solutions
- Easy assembly and disassembly of Air Blow Check Valve
- Buna Ball Check Valve offered standard with EPDM Air Blow Check Valve with Viton® options

PART NUMBERS FOR BALL CHECK WITH AIR BLOW CHECK VALVE

CLAMP	EG45ABA-6 SIZE = "A" Connection	WELD	E45WWABA-6 SIZE = "A" Connection
	EG45ABB-6 SIZE = "B" Connection		E45WWABB-6 SIZE = "B" Connection
	EG45ABC-6 SIZE = "C" Connection		E45WWABC-6 SIZE = "C" Connection

*For Viton® Ball, Stem, and Elastomers Add "V" to end of part number