

Building connections that last™



# Series 2483

## Forged Piston Check Valve Datasheet



# Forged Piston Check Valve Series 2483



## Design Features

- Class 800
- Socket weld ends forged steel or 316L stainless steel
- Threaded ends forged steel or 316L stainless steel
- Bolted bonnet
- NACE MR-0175

## Applicable Standards

- Basic Design: API 602 (9<sup>th</sup> Edition)
- Socket Weld: ANSI 16.11
- Threaded: ANSI B1.20.1
- Test: API 598

## Technical Information

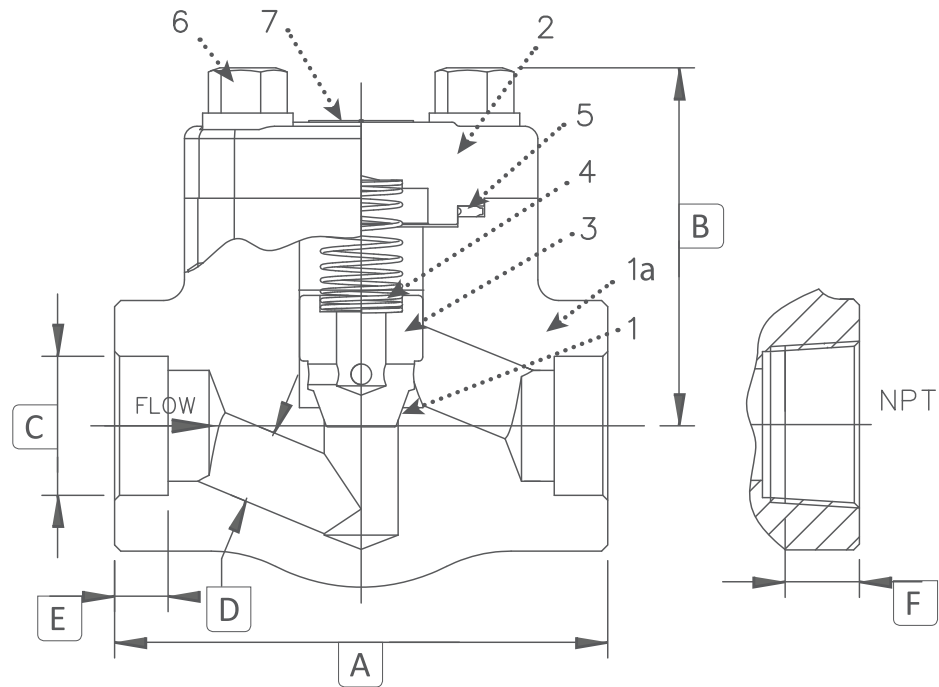
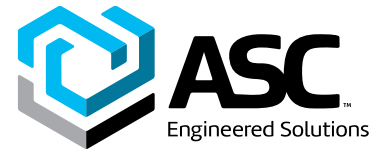
Size	C <sub>v</sub>	Weight (Lbs.)	Temperature °F	316L Pressure psi	Forged Steel Pressure psi
¼	1.5	3.4	-20 to 100	1600	1975
⅜	2	3.3	200	1365	1810
½	2	3.3	300	1215	1745
¾	3	3.9	400	1120	1690
1	6	5.8	500	1050	1610
1-¼	14	8.4	600	990	1515
1-½	14	9.2	650	975	1465
2	25	19.8	700	960	1415
			750	940	1350
			800	920	1100
			850	900	-



asc-es.com

Building connections that last™

# Forged Piston Check Valve Series 2483



## Parts & Materials

No.	Part Name	Qty.	Material
1	Body	1	316L Stainless Steel ASTM A182 or Forged Steel ASTM A105N*
1A	Seat Surface	1	Stellite
2	Cover	1	316L Stainless Steel or Carbon Steel ASTM A105N*
3	Piston	1	316 Stainless Steel or 410 Stainless Steel*
4	Spring	1	316 Stainless Steel
5	Gasket	1	316 + Graphite or 304 + Graphite*
6	Body Bolt	4	B8M Steel ASTM A193 or B7M Steel ASTM A193*
7	Name Plate	1	Aluminum

**Note:**  
\*Used on Carbon Steel Valves.

## Dimensions (Inches)

Size	A	B	C	D	E	F
¼	3.11	2.40	0.55	0.24	0.39	0.40
⅜	3.11	2.40	0.69	0.28	0.39	0.43
½	3.11	2.40	0.85	0.39	0.39	0.53
¾	3.58	2.40	1.07	0.51	0.51	0.55
1	4.37	3.07	1.33	0.71	0.51	0.69
1-¼	4.72	3.35	1.68	0.87	0.51	0.71
1-½	5.98	4.02	1.92	1.18	0.51	0.72
2	6.77	4.72	2.40	1.38	0.63	0.76

**Note:**  
Due to continuous development of our product range, we reserve the right to change the dimensions and information for this product as required.

# Forged Piston Check Valve Series 2483



## How to Order Series 2483

**1**   **2483**   **-**   **6**   **-**   **TE**   **=**   **1**   **-**   **2483**   **-**   **6**   **-**   **TE**

Size                      Series                      Body                      Ends                      Size                      Series                      Body                      Ends

Size	Series	Body	Ends
1/4	2483	4 Forged Steel (Trim 8)	TE Threaded
3/8			SW Socket Weld
1/2		6 Stainless Steel (Trim 12)	TE Threaded
3/4			SW Socket Weld
1			
1-1/4			
1-1/2			
2			

### **About ASC Engineered Solutions**

ASC Engineered Solutions is defined by quality—in its products, services and support. With more than 1,400 employees, the company's portfolio of precision-engineered piping support, valves and connections provides products to more than 4,000 customers across industries, such as mechanical, industrial, fire protection, oil and gas, and commercial and residential construction. Its portfolio of leading brands includes ABZ Valve®, AFCON®, Anvil®, Anvil EPS, Anvil Services, Basic-PSA, Beck®, Catawissa, Cooplet®, FlexHead®, FPPI®, Golvlok®, J.B. Smith, Merit®, North Alabama Pipe, Quadrant®, SCI®, Sharpe®, SlideLOK®, SPF® and SprinkFLEX®. With headquarters in Commerce, CA, and Exeter, NH, ASC also has ISO 9001:2015 certified production facilities in PA, TN, IL, TX, AL, LA, KS, and RI.



[asc-es.com](http://asc-es.com)

Building connections that last™

FC-DS-SERIES-2483-v01 202100914

