

Building connections that last™



Sharpe® Series 50M

Two-Piece Ball Valve
Datasheet



Two-Piece Ball Valve Sharpe® Series 50M



Design Features

- Full port
- 1000 CWP
- 316 Stainless Steel ASTM A351 CF8M
- Threaded Ends Connections
- Blow-out proof stem
- Lockable Lever Handle

Applicable Standards

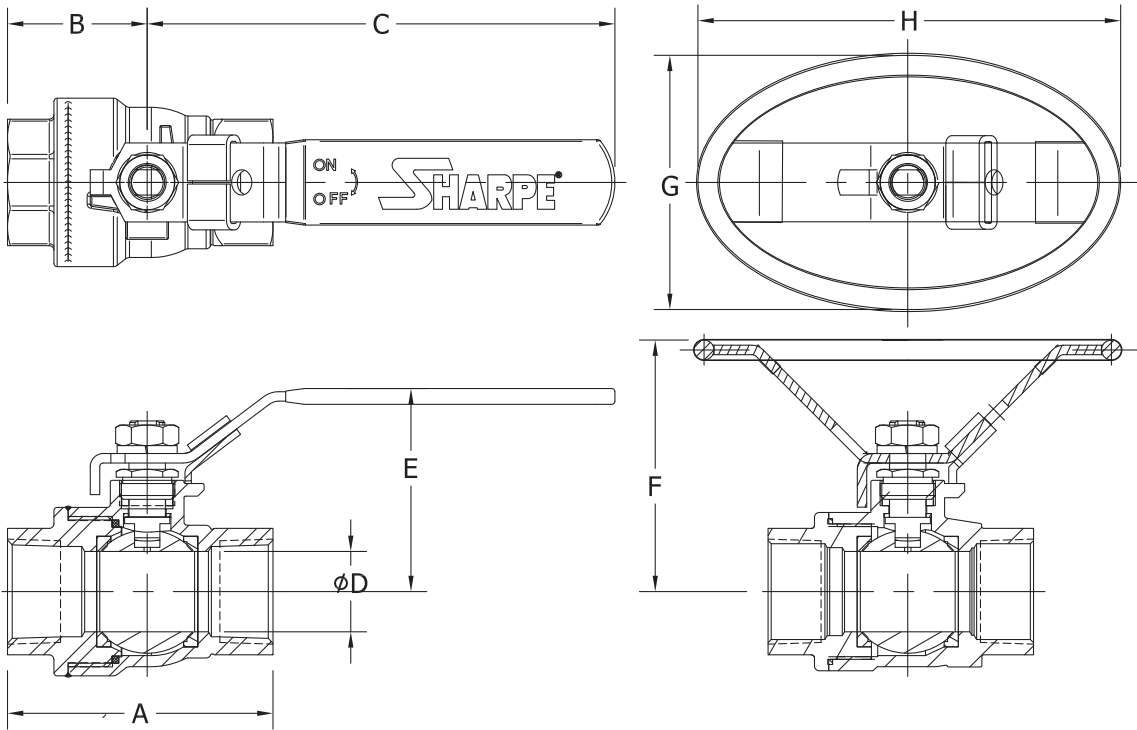
- Threaded Ends ASME B16.11
- Shell and Seat Pressure Test ASME B16.34

Options

- Lockable Oval Handle
- Stem Extension, 2-1/2", Non-Locking



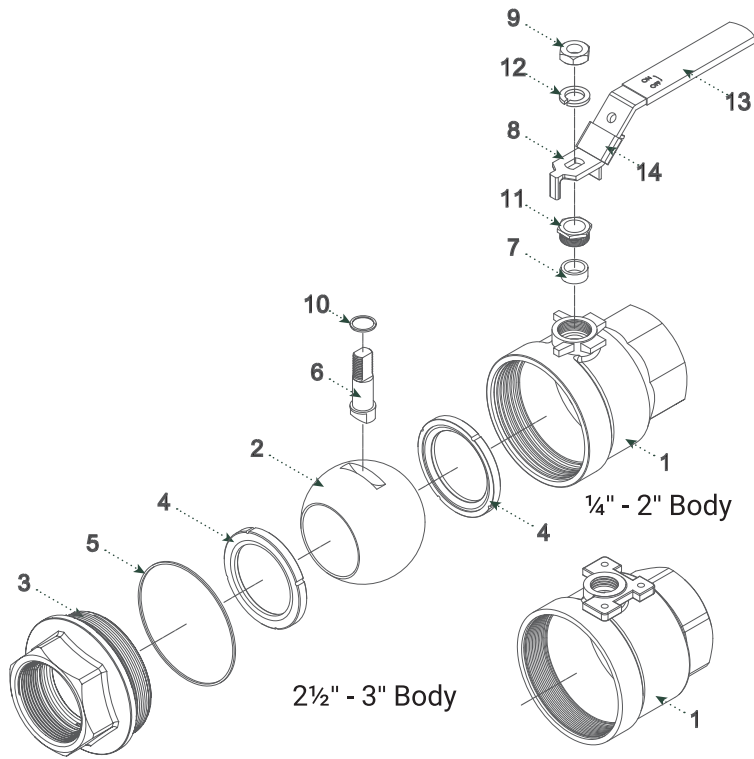
Two-Piece Ball Valve
Sharpe® Series 50M



Dimensions (Inches)

Size	A	B	C	D	E	F	G	H
1/4	2.00	1.02	4.00	0.50	1.81	2.24	2.16	3.39
3/8	2.00	1.02	4.00	0.50	1.81	2.24	2.16	3.39
1/2	2.36	1.17	4.00	0.59	1.89	2.26	2.16	3.39
3/4	2.75	1.48	5.00	0.80	2.04	2.90	2.76	4.33
1	3.25	1.74	5.75	1.00	2.44	3.20	3.18	5.26
1-1/4	3.80	1.91	5.75	1.25	2.56	3.40	3.18	5.26
1-1/2	4.33	2.17	7.50	1.50	2.96	4.20	4.13	6.47
2	5.27	2.64	7.50	2.00	3.25	4.51	4.13	6.47
2-1/2	6.58	3.28	9.73	2.56	5.00	-	-	-
3	7.55	3.78	9.73	3.00	5.40	-	-	-

Two-Piece Ball Valve Sharpe® Series 50M



Parts & Materials

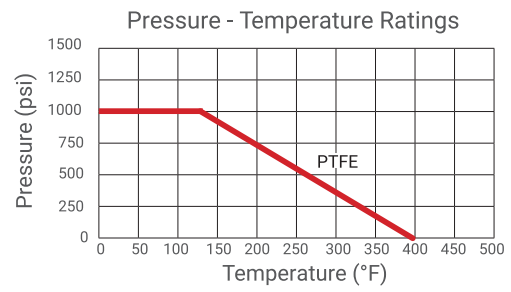
No.	Part Name	Material	Qty.
1	Body	316 Stainless Steel ASTM A351 CF8M	1
2	Ball	316 Stainless Steel	1
3	End Piece	316 Stainless Steel ASTM A351 CF8M	1
4	Seat	PTFE	2
5	Body Seal	PTFE	1
6	Stem	316 Stainless Steel	1
7	Stem Packing	PTFE	1 Set
8	Handle	300 Series Stainless Steel	1
9	Handle Nut	300 Series Stainless Steel	1
10	Thrust Bearing	PTFE	1
11	Packing Nut	300 Series Stainless Steel	1
12	Lock Washer	300 Series Stainless Steel	1
13	Handle Sleeve	PVC	1
14	Locking Device	300 Series Stainless Steel	1

Two-Piece Ball Valve Sharpe® Series 50M



Technical Information

Size	C _v	Weight (lbs.)
1/4	6	0.6
3/8	6	0.6
1/2	24	0.6
3/4	35	1.1
1	47	1.8
1-1/4	81	3.0
1-1/2	105	4.2
2	241	8.0
2-1/2	319	14.0
3	580	22.8



Two-Piece Ball Valve
Sharpe® Series 50M



How to order Series 50M

Example

$$\frac{1}{4} + 50M76 = \frac{1}{4} - 50M76$$

Size Series

Size	Series	Options
1/4	50M76	OH Oval Handle
3/8		NLS Non-Locking Stem Extension, 2-1/2"
1/2		
3/4		
1		
1-1/4		
1-1/2		
2		
2-1/2		
3		

Note:
 Due to continuous development of our product range, we reserve the right to change the dimensions and information for this product as required.

About ASC Engineered Solutions

ASC Engineered Solutions is defined by quality—in its products, services and support. With more than 1,400 employees, the company's portfolio of precision-engineered piping support, valves and connections provides products to more than 4,000 customers across industries, such as mechanical, industrial, fire protection, oil and gas, and commercial and residential construction. Its portfolio of leading brands includes ABZ Valve®, AFCON®, Anvil®, Anvil EPS, Anvil Services, Basic-PSA, Beck®, Catawissa, Cooplet®, FlexHead®, FPPI®, Gruklok®, J.B. Smith, Merit®, North Alabama Pipe, Quadrant®, SCI®, Sharpe®, SlideLOK®, SPF® and SprinkFLEX®. With headquarters in Commerce, CA, and Exeter, NH, ASC also has ISO 9001:2015 certified production facilities in PA, TN, IL, TX, AL, LA, KS, and RI.



asc-es.com

Building connections that last™

FC-DS-SERIES 50M-v01 20210915

