



Neumo Ehrenberg Group

Butterfly Valve

Features and Benefits

- VNE offers 3 handle options to meet customers requests
- Expanded size range - up to 6 inch
- Field serviceable
- 100% tested and inspected
- Seats meet FDA requirements

Technical Data

- Max product pressure: 145 PSI
- Recommended temperature range: 15° - 200° F
- Maximum short time sterilization temperature:
 - 266° F (EDPM)
 - 266° F (Silicone)
 - 284° F (Viton)
- All wetted surfaces are sanitary finished to $\leq 32R_a$

Material Data

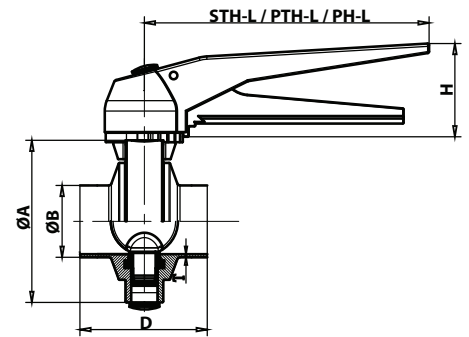
- Material Types: AISI 304 or AISI 316L
- Size Range: 1" - 6"
- Product handle type: 4-position & 12-position
- Seat Materials: Silicone, EPDM, Viton®
- End Connections: Clamp & Weld - other connections available upon request.



Weld Butterfly Valve

Size	A	B	D	STH-L	PTH-L	PH-L	T	H	Torque In-lbs
1"	3.071	1.000	1.969	5.709	5.709	5.350	0.065	2.165	17
1 1/2"	3.386	1.500	1.969	5.709	5.709	5.350	0.065	2.165	40
2"	3.937	2.000	2.047	5.709	5.709	5.350	0.065	2.165	78
2 1/2"	4.528	2.500	2.205	5.709	5.709	5.350	0.065	2.165	111
3"	5.040	3.000	2.283	5.709	5.709	6.420	0.065	2.165	160
4"	6.063	4.000	2.520	5.709	5.709	6.420	0.083	2.165	280
*6"	8.858	6.000	3.150	*	*	7.280	0.109	2.165	531

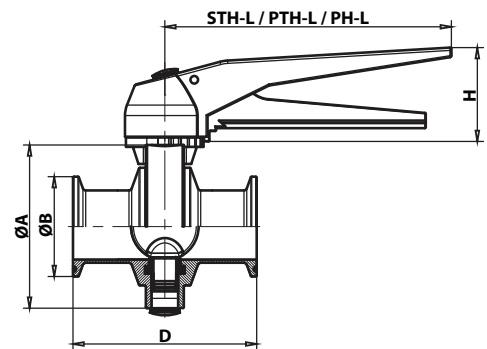
* Available with 4 position pull handle only



Clamp Butterfly Valve

Size	A	B	D	STH-L	PTH-L	PH-L	H	Torque In-lbs
1"	3.071	1.988	2.598	5.709	5.709	5.350	2.165	17
1 1/2"	3.386	1.988	2.756	5.709	5.709	5.350	2.165	40
2"	3.937	2.519	2.992	5.709	5.709	5.350	2.165	78
2 1/2"	4.528	3.051	3.150	5.709	5.709	5.350	2.165	111
3"	5.040	3.582	3.307	5.709	5.709	6.420	2.165	160
4"	6.063	4.685	4.094	5.709	5.709	6.420	2.165	280
*6"	8.858	6.567	5.118	*	*	7.280	2.165	531

* Available with 4 position pull handle only



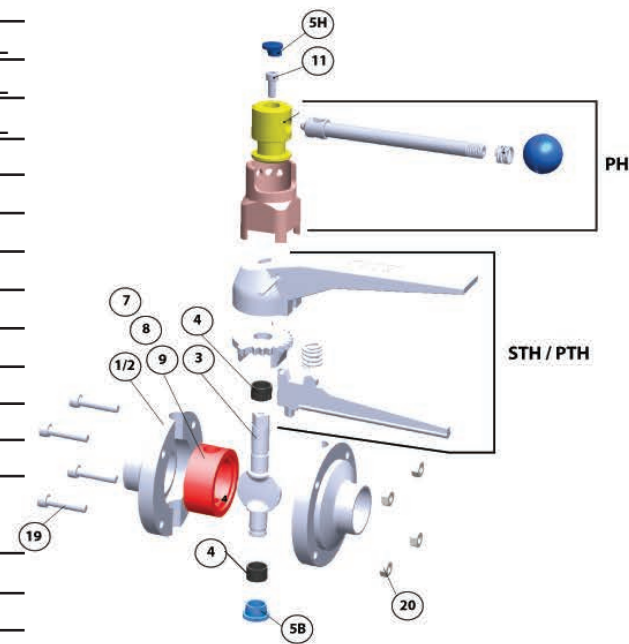
Parts List

Item	Part Number	Description	Material
1	51-BVP-1-(SIZE)*	Clamp Body	304/316L
2	51-BVP-2-(SIZE)*	Weld Body	304/316L
3	51-BVP-3-(SIZE)*	Disc	304/316L
4	51-BVP-4-(SIZE)	Bush	ABS
5B	51-BVP-5B-(SIZE)	Cap Plug (bottom)	ABS
5H**	51-BVP-5H-(SIZE)	Cap Plug (handle)	ABS
7	51-BVP-7-(SIZE)	Seat (Red)	Silicone
8	51-BVP-8-(SIZE)	Seat (Black)	EPDM
9	51-BVP-9-(SIZE)	Seat (Green)	Viton
11**	51-BVP-11-ALL	Handle Screw	304
19	51-BVP-19-(SIZE)	Bolt	304
20	51-BVP-20-(SIZE)	Nut	304
STH	51-BVP-STH	12 position stainless trigger handle only (1" - 4" sizes)	304
STH	51-BVP-STH-(SIZE)	12 position ss trigger handle (kit)	304
PTH	51-BVP-PTH-(SIZE)	12 position poly trigger handle (kit)	ABS
PH	51-BVP-PH-(SIZE)	4 position pull handle (kit)	304

* Add designation for T316L in part number if required.

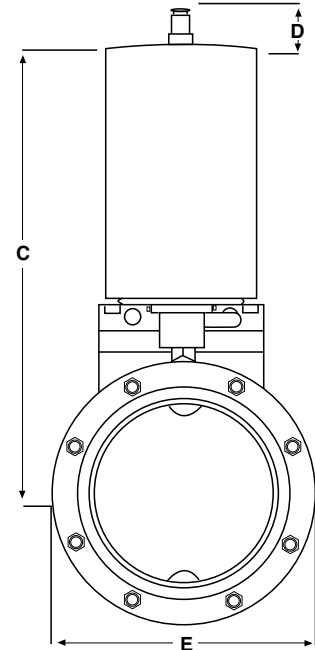
Example: 51-BVP-3-6-(SIZE)

** Included in handle kit - handle screw, cap plug (handle)



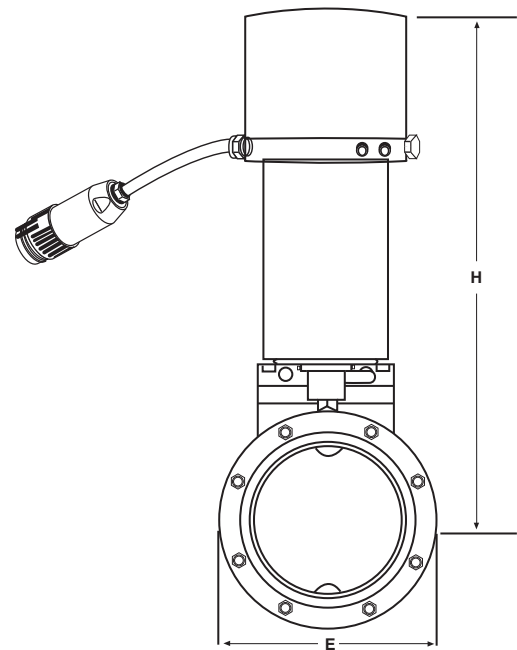
PNEUMATICALLY OPERATED BUTTERFLY VALVE INFORMATION

- Corrosion resistant 304 stainless steel body
- Easy to clean high surface finish and sanitary construction
- Air to open, spring to close is standard.
- Unique design provides higher torque at final closing of disc.
- One actuator fits 1" through 4" valves.
- Air pressure required 73-108 psi to operate actuator.
- Temperature rating of actuator: 15°-170°F
- No spare parts required.
- Maintenance free actuator.



ELECTRONICALLY-CONTROLLED PNEUMATICALLY OPERATED BUTTERFLY VALVE

- Electro-magnetic air solenoid valve provides quick positive response to control signal
- Two limit switches provide confirmation of valve position to central control panel
- Available in 110V or 24V
- All controls are protected under the splash-proof cover on top of the cylinder (IP65)
- Two Indicating Lights on outside of valve for visual inspection



Size	C	D	E	H
1"	9.047	0.750	3.071	12.219
1 1/2"	9.412	0.750	3.386	12.584
2"	9.565	0.750	3.937	12.737
2 1/2"	9.781	0.750	4.528	12.953
3"	10.044	0.750	5.040	13.216
4"	10.543	0.750	6.063	13.715

Butterfly Valve - Part Numbering

Example:

51W -6 4.0 A V / SCSR C - 1 1

Actuated Valves Only

C - 1 1

Valve Body

- 51C Clamp Ends (standard)
- 51W Weld Ends (standard)
- 51CW Clamp by Weld Ends
- 51P Plain Bevel Ends
- 51T Threaded Bevel Ends
- 51PT Plain by Threaded Bevel Ends
- 51M Male E Line Ends
- 51F Female E Line Ends
- 51FM Female by Male E Line Ends
- 51Q Q Line Ends
- 51J Plain John Perry Ends
- 51H Threaded John Perry Ends
- 51JH Plain by Threaded John Perry Ends

Material Type

- Blank T304
- 6 T316L

Size

- 1.0 2.5 6.0 (manual only)
- 1.5 3.0
- 2.0 4.0

Manual / Actuator Designator

- M Manual Valve
- A Actuated Valve

Seat Material

- S Silicone
- E EPDM
- V Viton

Actuator / Handle

- STH 12 Position Stainless Trigger Handle (standard)
- PTH 12 Position Polymer Trigger Handle
- PH 4 Position Pull Handle
- SCSR Stainless Canister Spring Return Pneumatic Actuator

Fail Position / Flow Pattern

- O Fail Open
- C Fail Closed (standard)

Accessory 1 (Solenoid / Voltage)

- X Omitted
- 1 120VAC for SCSR Actuator
- 2 24VDC for SCSR Actuator

Accessory 2 (Limit Switch)

- X Omitted
- 1 2 mech. limit switches 120VAC / lighted indicators for SCSR actuator
- 2 2 mech. limit switches 24VDC / lighted indicators for SCSR actuator



VNE

Examples: **51C1.5ME/STH** Clamp ends, T304, 1.5", EPDM seat, manual stainless trigger handle
51W-64.0AV/SCSRC-11 Weld ends, T316L, 4", Viton, stainless canister spring return actuator
 fail close with 120VAC solenoid and 2 mechanical limit switches